

Coach light

Contains FCC ID: PUU-LINKABLE-OB01
Contains IC: 10798A-LINKABLE001



BEFORE YOU BEGIN

Read these instructions completely and carefully. Before installing the light fixture, ensure that all parts are present.

This product must be installed in accordance with the applicable installation code by a person familiar with the construction and operation of the product and the hazards involved.

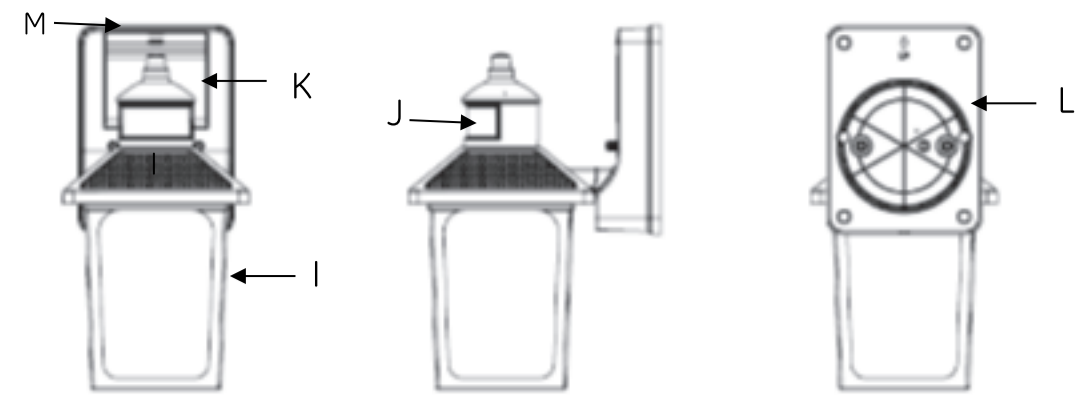
Prepare Electrical Wiring

Electrical Requirements
The LED spotlight must be supplied with 120VAC 60Hz.

Grounding Instructions
The grounding and bonding of the overall system shall be done in accordance with National Electric Code(NEC) Article 600 and local codes.

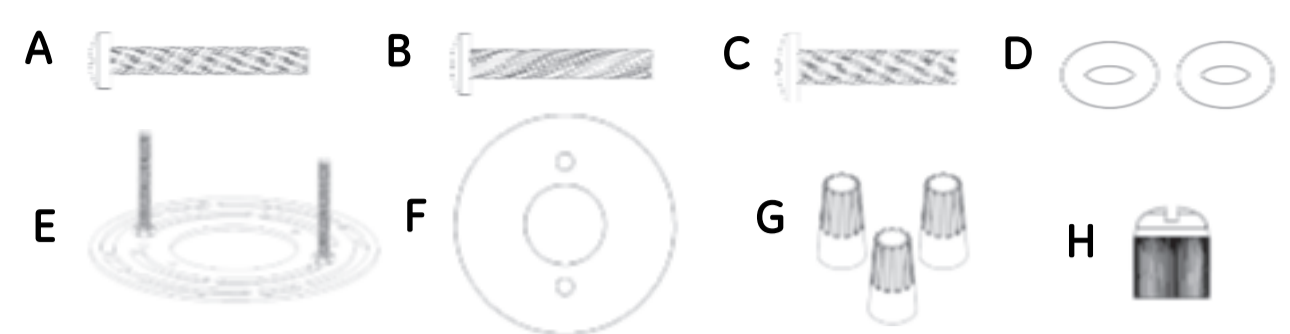


PACKAGE CONTENTS



Part	Quantity	Description
I	1	Coach light
J	1	Motion sensor head
K	1	User operation manual
L	1	Driver Box

HARDWARE PACKAGE



Part	Quantity	Description
A	2	Mounting bracket screw
B	2	Mounting bracket screw
C	2	Mounting bracket screw
D	2	Rubber nut screw holder
E	1	Mounting bracket
F	1	Gasket (not shown actual size)
G	3	Wire connector
H	2	Nut screw

TOOLS REQUIRED:



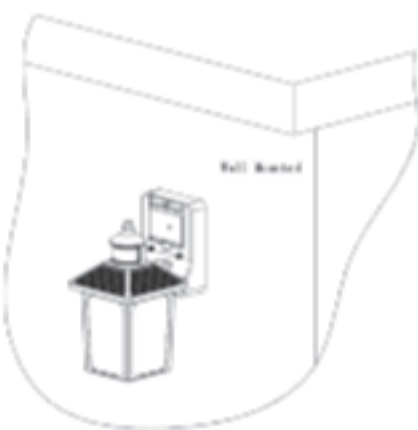
SPECIFICATIONS

Power requirements	120VAC,60Hz
Electrical	13W
Lumens	800
Dusk to Dawn	Night, Dusk, Day (3 level adjustable)
Activation Timer	10s, 30s, 3min, 10min and Always
Sensitivity	PIR sensor detection distance: Low, Medium or High
Brightness	0%, 15%, 30%, 50%, 100% in standard operation
Group	A, B, C, and D, X separately from any group
Linking Groups	Within 2 minutes of "power on" press the Web button on one fixture

INSTALLATION

Warning: Before wiring the fixture to the house power supply, ensure the electricity is TURNED OFF at the main circuit breaker or fuse box. DO NOT ATTEMPT TO INSTALL FIXTURE WITH THE POWER ON. All wiring connections must be made with the POWER OFF to avoid personal injury and/or damage to the fixture. Verify power is OFF at the junction box using AC voltage tester before installation. If using ladder for installation, ensure ladder base is secure and stable before attempting light fixture installation.

1 Select Mounting location.



Wall Mount

a. NOTE: The fixture (I) is WET rated for Outdoor use and should be mounted to a recessed electrical junction box with a 120-Volt AC power source ideally connected through a wall switch.

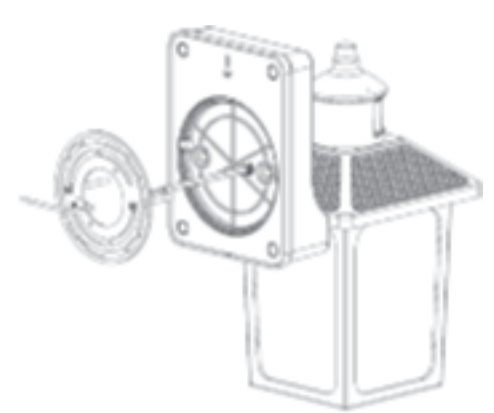
b. NOTE: The fixture (I) should be mounted approximately 10ft. (3m) above the ground.

INSTALLATION (cont.)

2 Turn off power source to the junction box that you are installing the fixture in.

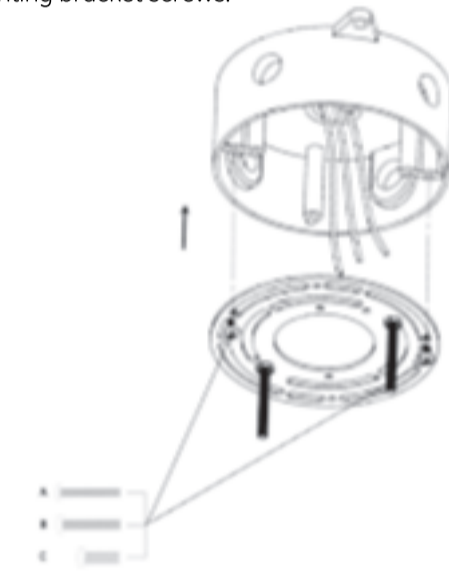


3 Remove the Mounting bracket(E) from the back of outdoor fixture(I).



4 Install the mounting bracket(E) to Junction Box. The bracket has slots to accommodate 2.75 or 3.5-inch mounting centers.

- a. NOTE: Six Mounting bracket screws (A, B or C) of three sizes are included. The installation will only require one set of two screws.
b. Remove the existing outdoor fixture and disconnect house AC Power supply wires (Black, white and ground).
c. Install the mounting bracket(E) with the selected screws, with the fixture mounting screws pointing out from the junction box. Use the mounting bracket screws (A, B or C) that best fit the junction box.
d. Fit mounting bracket(E) to the box ensuring the fixture screws are horizontal.
e. Tighten the mounting bracket screws.



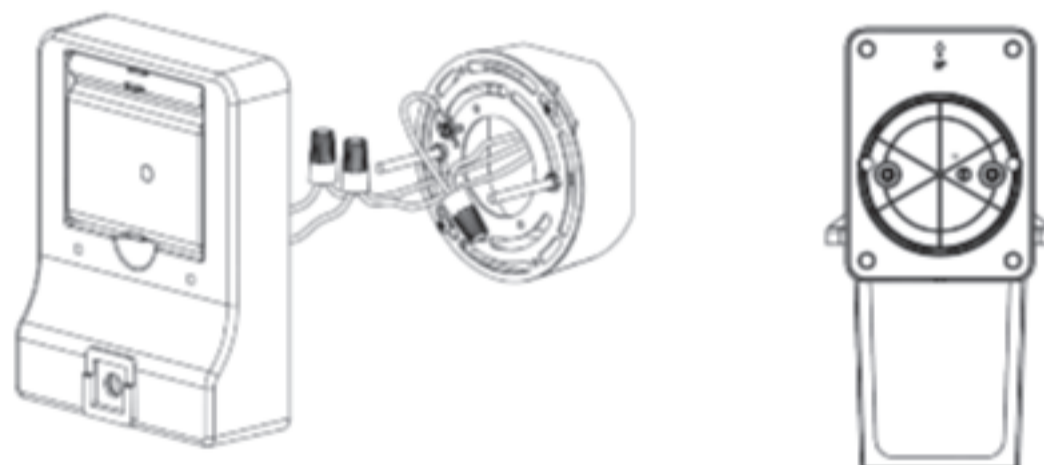
5 Slide gasket(F) over mounting screws and pull supply wires through center of gasket.



INSTALLATION (cont.)

6 Make the electrical connections.

- a. WARNING: Before wiring the fixture to the house power supply, ensure the electricity is TURNED OFF at the main circuit breaker or fuse box. DO NOT ATTEMPT TO INSTALL FIXTURE WITH THE POWER ON. All wiring connections must be made with the POWER OFF to avoid personal injury and/or damage to the fixture. Verify power is OFF at the junction box using AC voltage tester before installation.
b. Connect black wire from outlet box to black wire from fixture. Connect white wire from outlet box to white wire from fixture. Connect ground wire from outlet box to ground wire from fixture. Secure wires together with Wire connector (G).
c. Make sure fixture is orientated correctly, refer to UP arrows shown below.



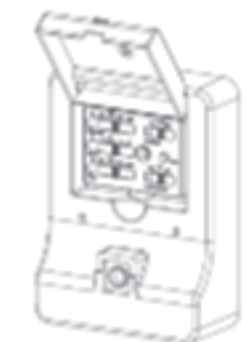
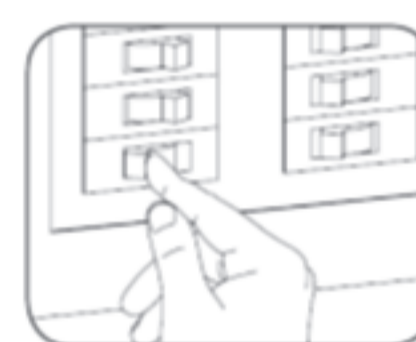
7 Mount the fixture(I) to the mounting bracket(E)

- a. Put the fixture(I) on the Mounting bracket(E) with two screws through the hole on fixture.
b. Take the nut screw(H) from hardware package, put nut screw(H) into the hole at the front of fixture, tighten nut screw(H) with tool.
c. Complete second nut screw(H) installation.
d. Put the Rubber screw hole plug(D) into the hole at the front of fixture.
e. For wet locations, a line of caulking compound such as acrylic latex or silicone must be placed around the perimeter of backplate also contacting the flange (as shown) to seal against mounting surface keeping the water away from the outlet box and back openings.



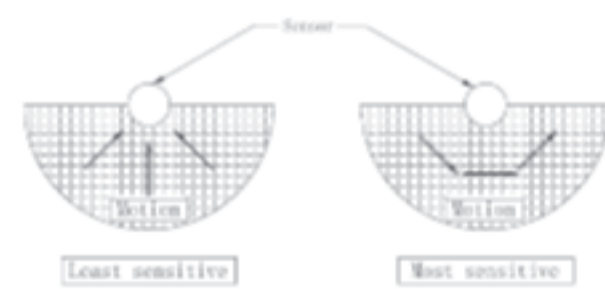
INSTALLATION (cont.)

8 Once the fixture is secured, open the cover and set the fixture controls. Turn power on.

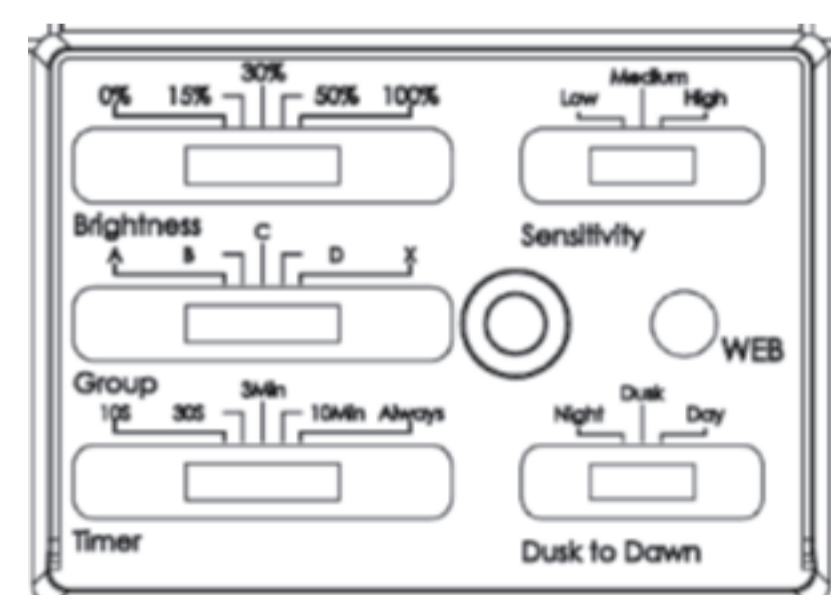


Motion detection zone

The sensor will be more sensitive to motion across its detection path than motion directly towards it. The detector is more sensitive to motion across its field of view and environment condition.



Function and Operation Manual



Operation Switch

Dusk to Dawn	Night, Dusk, Day (3 level adjustable)
Timer	10s, 30s, 3min, 10min and Always
Sensitivity	PIR sensor detection distance: Low, Medium or High
Brightness	0%, 15%, 30%, 50%, 100% in standard operation
Group	A, B, C, and D, X separately from any group
Linking Groups	Within 2 minutes of "power on" press the Web button on one fixture

Operation Steps

1. [Built in Dusk to Dawn Sensor]

- Day:** Light will operate all the time.
Dusk: Light will operate from dusk to dawn. At dawn the lamp will stop operating.
Night: Light will operate from Night to dawn.

2. [Setting Activation Timer]

The activation timer determines the amount of time the light will stay on full brightness after last motion is detected.
-Timer can be set to 10s, 30s, 3min, 10min and Always. Setting the timer to always will always maintain light output as desired fixture.

3. [Setting Sensitivity]

- Set the sensitivity of the PIR sensor to Low, Medium or High:
Low: The sensor's detection distance is approximately 20 feet.
Medium: The sensor's detection distance is approximately 30 feet.
High: The sensor's detection distance is approximately 40 feet.

4. [Setting Brightness]

- Set the brightness of the light in standard operation.
-Brightness can be set to 0%, 15%, 30%, 50%, 100%.
Note1: When motion is detected the light will illuminate from established brightness to 100% brightness.
Note2: When the light is powered on, it will maintain 100% brightness for 15 seconds. After 15 seconds, all lights will return to brightness level set.

5. [Setting Group]

- The fixtures can be divided and linked into four groups: A, B, C, and D. If one fixture in the group is triggered via motion, the other fixtures linked to the same group simultaneously turns on to 100% brightness.
-To operate your fixture separately from any group set the setting to "X".

6. [Linking Groups]

- To link fixtures:
1) set the desired fixtures to the same Group (A, B, C or D) on the control panel.
2) Power on the desired fixtures.
3) Within 2 minutes of "power on" press the Web button on one fixture.
Note1: Fixtures will flash 3 times to indicate the fixtures are now linked.
Note2: All the group linkable lights should set up at the same time.

FCC requirements:

This device complies with part 15 of the FCC Rules. Operation is subject to the following two conditions: (1) This device may not cause harmful interference, and (2) this device must accept any interference received, including interference that may cause undesired operation.

NOTE: This equipment has been tested and found to comply with the limits for a Class B digital device, pursuant to part 15 of the FCC Rules. These limits are designed to provide reasonable protection against harmful interference in a residential installation. This equipment generates, uses and can radiate radio frequency energy and, if not installed and used in accordance with the instructions, may cause harmful interference to radio communications. However, there is no guarantee that interference will not occur in a particular installation. If this equipment does cause harmful interference to radio or television reception, which can be determined by turning the equipment off and on, the user is encouraged to try to correct the interference by one or more of the following measures:

- Reorient or relocate the receiving antenna.
- Increase the separation between the equipment and receiver.
- Connect the equipment into an outlet on a circuit different from that to which the receiver is connected.
- Consult the dealer or an experienced radio/TV technician for help.

IC requirements

This device complies with CAN ICES-005B

Cet appareil est conforme à la norme canadienne NMB-005B.

This equipment complies with IC RSS-102 radiation exposure limits set forth for an uncontrolled environment. This transmitter must be installed to provide a separation distance of at least 20 cm (8 inches) from all persons and must not be collocated or operating in conjunction with any other antenna or transmitter.

Cet équipement est conforme aux limites d'exposition aux rayons de la norme IC RSS-102, définies pour un environnement non contrôlé. Cet émetteur doit être installé à au moins 20 cm (8 po) de toutes les personnes et ne doit pas être colocalisé ou fonctionner conjointement avec une autre antenne ou un autre émetteur.

This equipment complies with the FCC radiation exposure limits set possibility of exceeding the FCC radio frequency exposure limits, human proximity to the antenna shall not be less than 8 inches during normal operation.

Contains FCC ID: PUU-LINKABLE-OB01
Contains IC: 10798A-LINKABLE001

