

## WARRANTY

If this fixture does not last for 5 years (based on 3 hours per day / 7 days per week) return fixture, proof of purchase and your name and address to GE Lighting, a Savant company, Product Service Dept., 1975 Noble Road, Cleveland, OH 44112 for a replacement. FIXTURE REPLACEMENT IS SAVANT TECHNOLOGY LLC'S SOLE WARRANTY OBLIGATION. INCIDENTAL AND CONSEQUENTIAL DAMAGES ARE EXCLUDED. This warranty does not cover the cost of installation, removal or reinstallation, or damage resulting from misuse, abuse, or damage from improper wiring or installation. You are solely responsible for (and Savant Technology LLC disclaims) any and all loss, liability, or damages, including to your wiring, electricity, home, product, product peripherals, computer, mobile device, and all other items and pets in your home, resulting from your use of the product. Some states do not allow the exclusion or limitation of incidental or consequential damages, so the above exclusion may not apply to you. This warranty gives you specific legal rights and you may also have other rights which vary from location to location.

GE Lighting, a Savant company • 1-800-435-4448 • www.gelighting.com

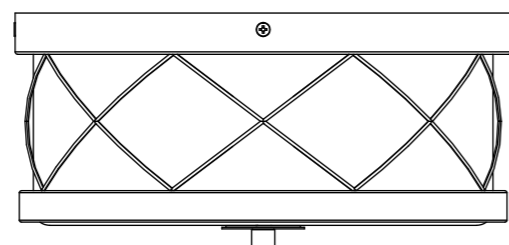
GE IS A TRADEMARK OF GENERAL ELECTRIC COMPANY. USED UNDER TRADEMARK LICENSE. ©2021 GE LIGHTING, A SAVANT COMPANY  
INFORMATION PROVIDED IS SUBJECT TO CHANGE WITHOUT NOTICE. ALL VALUES ARE DESIGN OR TYPICAL VALUES WHEN MEASURED UNDER LABORATORY CONDITIONS.

PK-00109209-1



## Installation Guide

### Glenwillow Flush Mount



www.gelighting.com

The GE brand and logo are trademarks of the General Electric Company.  
©2022 GE Lighting, a Savant company. Information provided is subject to change without notice.  
All values are design or typical values when measured under laboratory conditions.

## PRODUCT COVERED

Model	Input voltage (Vac, Hz)
FLM2LDMWBGW	120,60

## LIGHT SOURCE

Recommended Bulb	Maximum Bulb Wattage	Socket Type
ST19(Not Included)	60W	E26



### BEFORE YOU BEGIN

Read these instructions completely and carefully.

## WARNING

- Risk of fire or electric shock: Ceiling light installation requires knowledge of luminaire electrical systems. If not qualified, do not attempt installation. Contact a qualified electrician.
- Consult a qualified electrician to ensure correct connection to branch circuit. This product must be installed in accordance with the applicable installation code by a person familiar with the construction and operation of the product and the hazards involved.
- These products are intended to be used in dry or damp locations.
- Min 90°C (194°F) supply conductors suitable for operation in an ambient not exceeding 40°C (104°F).

## PREPARE ELECTRICAL WIRING



### Electrical Requirements

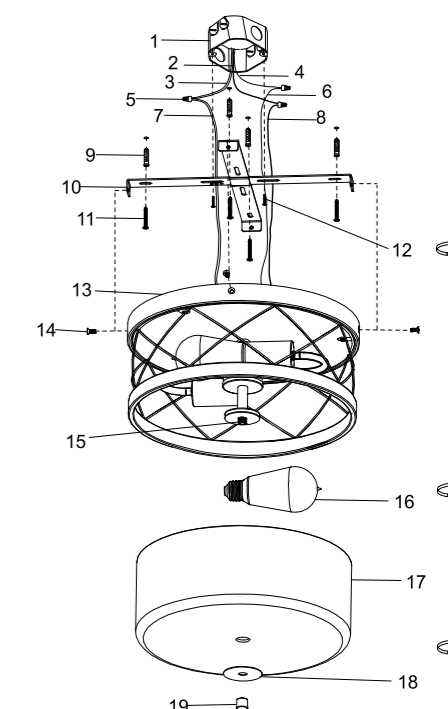
The fixture must be supplied with 120VAC 60Hz.



### Grounding Instructions

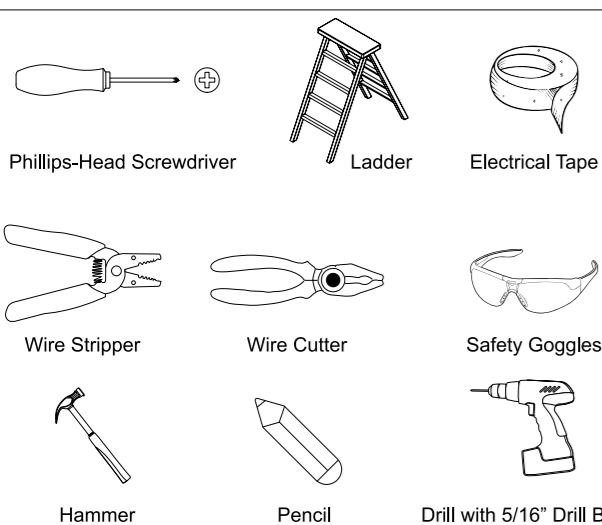
The grounding and bonding of the overall system shall be done in accordance with National Electric Code(NEC) and local codes.

## PACKAGE CONTENTS



- |  |                                |
|--|--------------------------------|
| 1. OULET BOX (NOT INCLUDED)                | 11. SELF - TAPPING SCREW x 4   |
| 2. BLACK SUPPLY WIRE (NOT INCLUDED)        | 12. MOUNTING BRACKET SCREW x 2 |
| 3. WHITE SUPPLY WIRE (NOT INCLUDED)        | 13. FIXTURE METAL BODY         |
| 4. POWER SUPPLY GROUND WIRE (NOT INCLUDED) | 14. FIXTURE SCREW x 4          |
| 5. P4 WIRE NUT x 3                         | 15. CONNECTING PIPE            |
| 6. GROUND FIXTURE WIRE                     | 16. BULB x2 (NOT INCLUDED)     |
| 7. WHITE FIXTURE WIRE                      | 17. GLASS SHADE                |
| 8. BLACK FIXTURE WIRE                      | 18. GASKET                     |
| 9. DRYWALL ANCHOR x 4                      | 19. FIXTURE NUT                |

## TOOLS REQUIRED

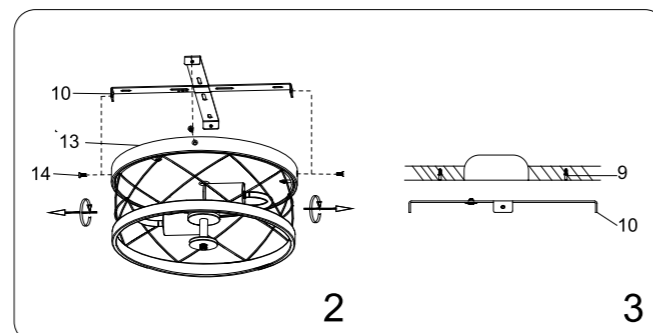


## INSTALLATION

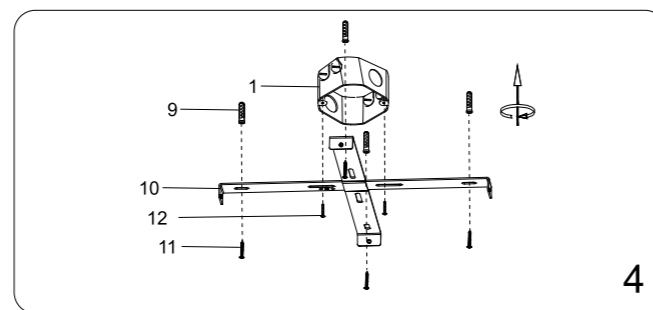
Remove the fixture and the mounting package from the box and make sure that no parts are missing by referencing the illustrations on the installation instructions.

**Caution:** Turn off the main power at the circuit breaker before installing the fixture. Failure to disconnect power supply prior to installation may result in possible shock or death.

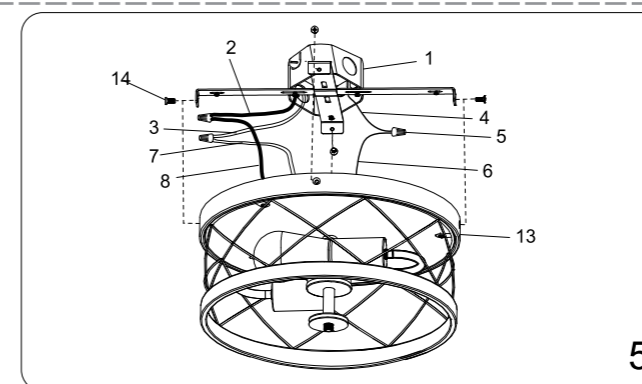
1. Remove existing fixture and disconnect all electrical wiring.
2. Remove mounting bracket[10] from fixture metal body[13] by removing fixture screws[14] .
3. Mark four hole locations on the ceiling that align with holes in mounting bracket[10]. Drill holes with 5/16" size drill bit at the marked locations. Insert drywall anchors[9] into each drilled mounting hole.



4. Place mounting bracket[10] onto outlet box[1], fix mounting bracket[10] tightly by using two mounting bracket screws[12]. Insert self-tapping screws[11] into drywall anchors[9] to secure the mounting bracket[10] tightly against the ceiling.



5. Connect black supply wire[2] to black fixture wire[8] and connect white supply wire[3] to white fixture wire[7] by using P4 wire nuts[5]. Connect ground fixture wire[6] at the top of the fixture metal body[13] to power supply ground wire[4] from outlet box[1]. Wrap P4 wire nuts[5] with electrical tape for a more secure connection. Carefully tuck wires back into the outlet box[1]. Do not get wires pinched between the ceiling and canopy.



6. Align the screw holes on the mounting bracket[10] with the screw holes on the fixture metal body[13]. Secure fixture metal body[13] tightly using fixture screws [14] previously removed in step 2.
7. Install recommended bulbs[16]. Raise the glass shade[17] up into the fixture. While holding glass shade[17], place gasket[18] in sequence into connecting pipe[15]. Use fixture nut[19] to secure glass shade[17].

